

KAMADO JOE GASJOE

THE NEXT REVOLUTION IN GRILLING



Shown: GasJoe 38"



KAMADOJOE
Ignite your passion for grilling.™



GasJoe Specifications

KAMADO JOE GASJOE 26"

FEATURES & SPECIFICATIONS

Includes: Grill Head & Cart

- Grill Head and Cart Ship Separately. Cart Comes Fully Assembled.
- Grill Head Available Separately for Built-in Outdoor Kitchens.
- Natural Gas Conversion Kit.



Features

- (2) Primary Burners
- 8mm Cooking Grate Rods
- Tube Type Burners
- Flame Tamer
- Flash Tubes
- Zinc Alloy Cast Knobs
- Removable Side Shelves
- Full-size Grease Tray
- Warming Rack
- Polished Edges & Accents
- Locking Casters



8mm Cooking Grate Rods with Warming Rack



Polished Accent Knobs and Handles



Removable Side Shelves



Premium Stainless Steel Finishing

KAMADO JOE GASJOE 26" SPECIFICATIONS

Grill Head Dimensions	26 in Wide x 23.75 in High x 27.5 in Deep	66 cm Wide x 61 cm High x 70 cm Deep
Grill Head w/Cart Dimensions	54 in Wide x 47.5 in High x 27.5 in Deep	136 cm Wide x 121 cm High x 70 cm Deep
Total Weight	148 lbs	67 kg
BTU-per-hour Input (Main)	32,000 (2 Burners/16,000 BTU per Burner)	
Primary Cooking Area	444 sq in	2,860 sq cm
Warming Rack Area	154 sq in	989 sq cm
Total Cooking Area	598 sq in	3,849 sq cm
Materials		
Grill Head/Grill Cart	304 Grade Stainless Steel	Grill Grates
		8mm 304 Stainless Steel

KAMADO JOE GASJOE 32"

FEATURES & SPECIFICATIONS

Includes: Grill Head & Cart

- Grill Head and Cart Ship Separately. Cart Comes Fully Assembled.
- Grill Head Available Separately for Built-in Outdoor Kitchens.
- Natural Gas Conversion Kit.



Features

- (2) Primary Burners
- Sear Burner/Sear Grate
- 8mm Cooking Grate Rods
- Tube Type Burners
- Flame Tamer
- Flash Tubes
- Zinc Alloy Cast Knobs
- Removable Side Shelves
- Full-size Grease Tray
- Warming Rack
- Polished Edges & Accents
- Locking Casters



8mm Cooking Grate Rods with Warming Rack



Polished Accent Knobs and Handles



Removable Side Shelves



Premium Stainless Steel Finishing

KAMADO JOE GASJOE 32" SPECIFICATIONS

Grill Head Dimensions	32 in Wide x 23.75 in High x 27.5 in Deep	81.3 cm Wide x 61 cm High x 70 cm Deep
Grill Head w/Cart Dimensions	60 in Wide x 47.5 in High x 27.5 in Deep	152 cm Wide x 121 cm High x 70 cm Deep
Total Weight	194 lbs	81 kg
BTU-per-hour Input (Main)	45,000 (2 Burners/1 Sear Burner)	BTU-per-hour Input (Sear Burner)
Primary Cooking Area	559 sq in	3,601 sq cm
Warming Rack Area	193 sq in	1,238 sq cm
Total Cooking Area	752 sq in	4,839 sq cm
Materials		
Grill Head/Grill Cart	304 Grade Stainless Steel	Grill Grates
		8mm 304 Stainless Steel

KAMADO JOE GASJOE 38"

FEATURES & SPECIFICATIONS

Includes: Grill Head & Cart

- Grill Head and Cart Ship Separately. Cart Comes Fully Assembled.
- Grill Head Available Separately for Built-in Outdoor Kitchens.
- Natural Gas Conversion Kit.



Features

- (3) Primary Burners
- Sear Burner/Sear Grate
- 8mm Cooking Grate Rods
- Tube Type Burners
- Flame Tamer
- Flash Tubes
- Zinc Alloy Cast Knobs
- Removable Side Shelves
- Full-size Grease Tray
- Warming Rack
- Polished Edges & Accents
- Locking Casters



8mm Cooking Grate Rods with Warming Rack



Polished Accent Knobs and Handles



Removable Side Shelves



Premium Stainless Steel Finishing

KAMADO JOE GASJOE 38" SPECIFICATIONS

Grill Head Dimensions	38 in Wide x 23.75 in High x 27.5 in Deep	96.5 cm Wide x 61 cm High x 70 cm Deep
Grill Head w/Cart Dimensions	65.7 in Wide x 47.5 in High x 27.5 in Deep	167 cm Wide x 121 cm High x 70 cm Deep
Total Weight	234 lbs	106 kg
BTU-per-hour Input (Main)	62,000 (3 Burners/1 Sear Burner)	BTU-per-hour Input (Sear Burner)13,000
Primary Cooking Area	674 sq in	4,348 sq cm
Warming Rack Area	232 sq in	1,489 sq cm
Total Cooking Area	906 sq in	5,837 sq cm
Materials		
Grill Head/Grill Cart	304 Grade Stainless Steel	Grill Grates
		8mm 304 Stainless Steel

KAMADO JOE GASJOE

INSTALLATION

Clearances from Combustible Construction

A minimum of 18" from the sides and rear of the grill must be maintained to adjacent vertical combustible construction, above the counter top level. You should take into account that there is a large volume of heat, and smoke that will exhaust from the rear of the grill. This may discolor or damage unprotected areas (Figure 02). Do not install under unprotected combustible construction without using a fire safe ventilation system. A minimum clearance of 18" must also be maintained under the counter top to combustible construction (Figure 01 and Figure 02).

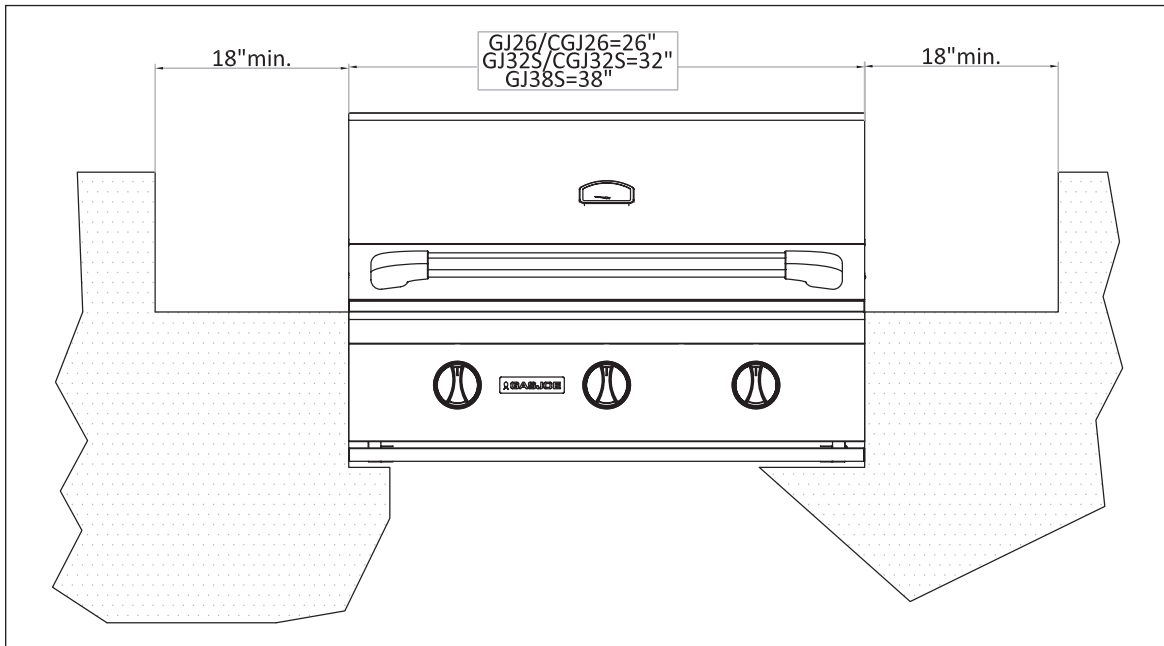


Figure 1

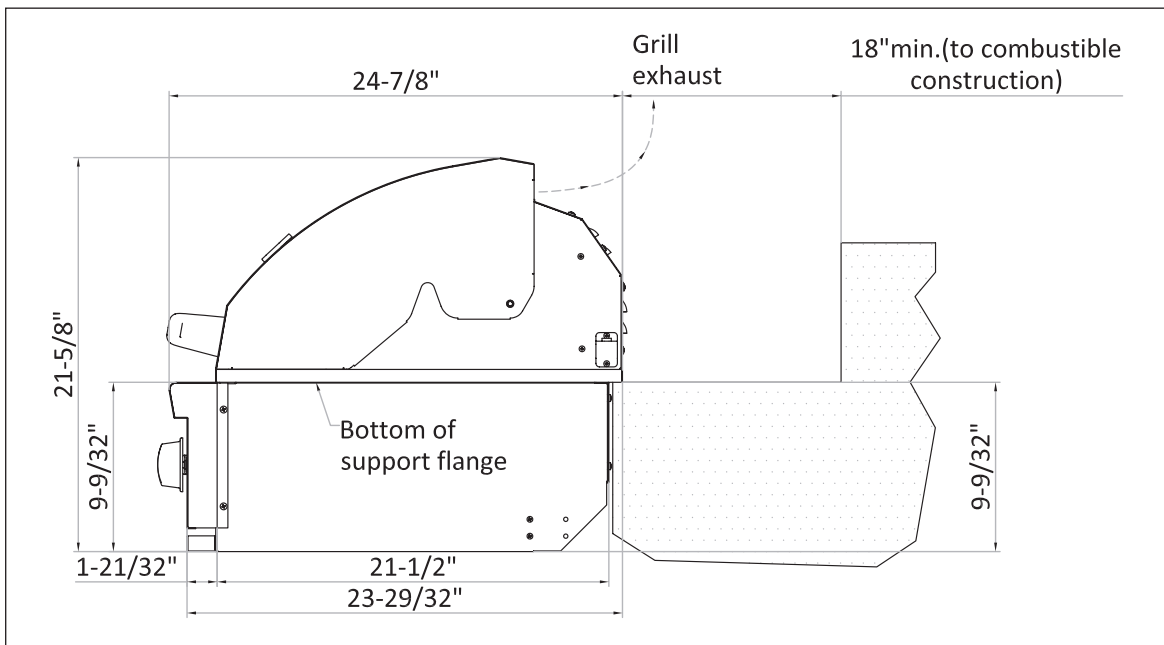


Figure 2

KAMADO JOE GASJOE

INSTALLATION

Clearances from Non-Combustible Construction

A minimum of 6" clearance from the back of the grill to non-combustible construction is required for the purpose of allowing the lid to open fully (Figure 04). It is desirable to allow at least 6" rear and side clearance to noncombustible construction above the cooking surface for counter space. If you'll be using the rotisserie option, this space is essential for motor and skewer clearance. The grill can be placed directly adjacent to noncombustible construction below the cooking surface (Figure 03 and Figure 04).

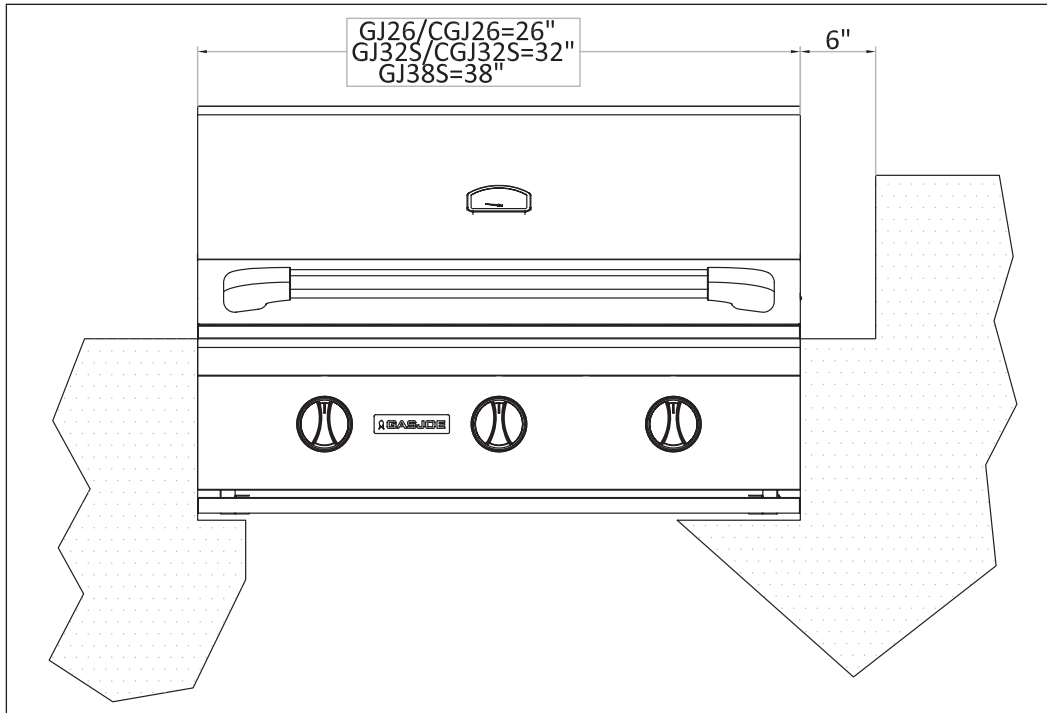


Figure 3

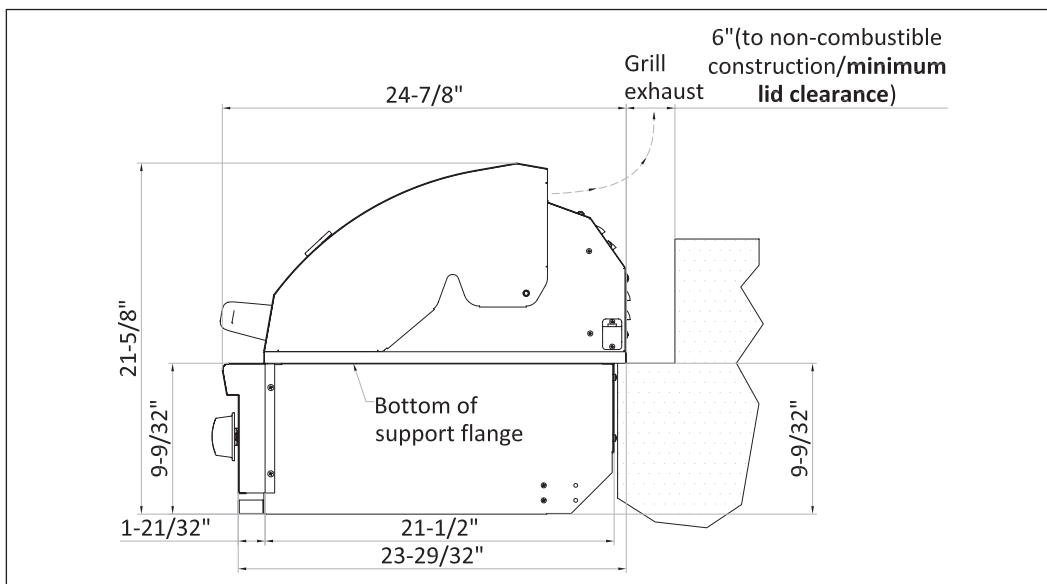


Figure 4

KAMADO JOE GASJOE

INSTALLATION

Cut-out Dimensions for Built-in Grills (Figure 05)

MODEL	A	B	C
GasJoe 26"	24-1/8"	21-3/4"	9-7/8"
GasJoe 32"	30-1/8"	21-3/4"	9-7/8"
GasJoe 38"	36-1/8"	21-3/4"	9-7/8"

Note: The built-in island construction material should be all non-combustible material. It cannot have any ventilation holes except for the hole required for the gas supply in the cut-out base.

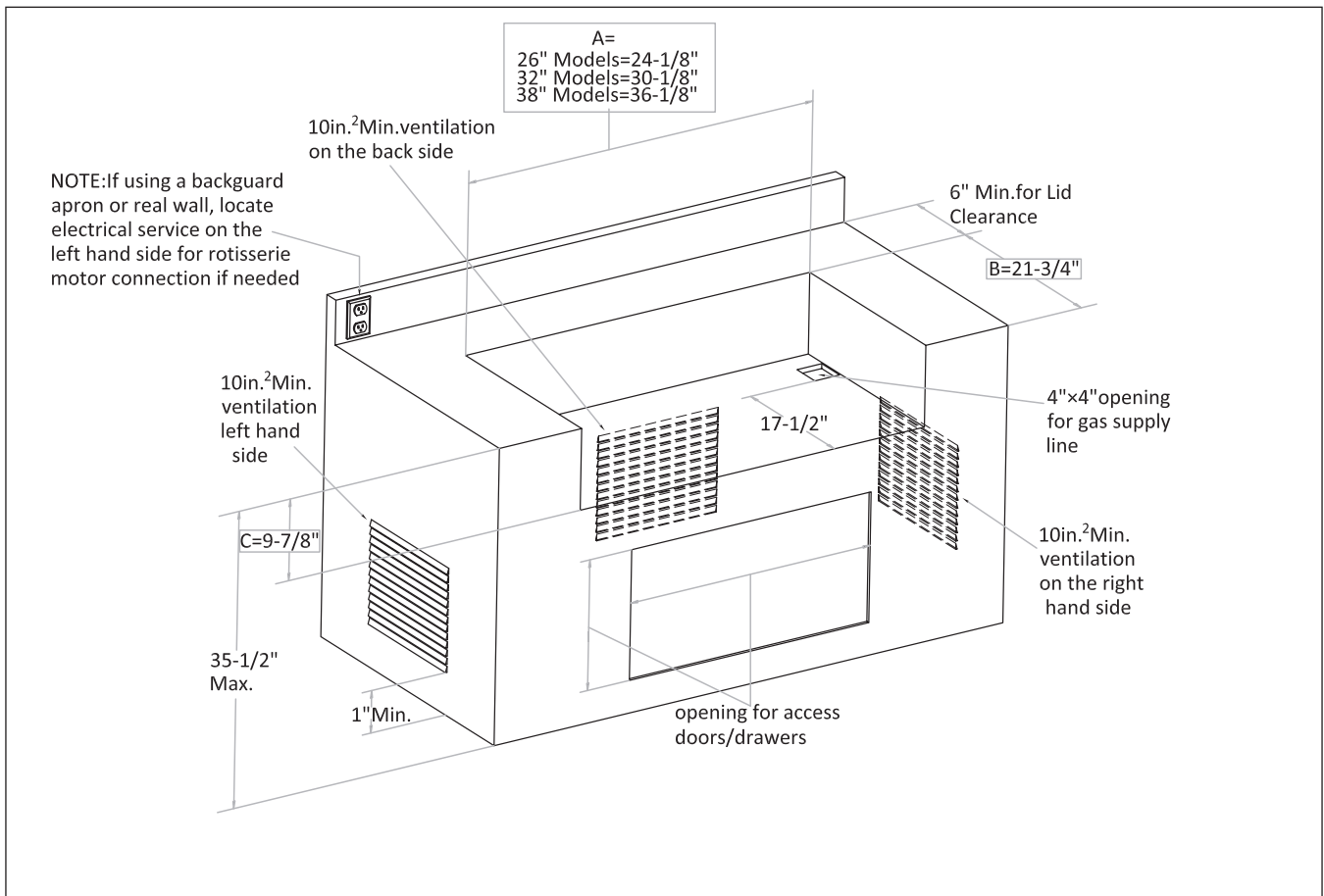


Figure 5