

KAMADO JOE GASJOE ULTRA

THE NEXT REVOLUTION IN GRILLING



Shown: GasJoe Ultra 42"



GasJoe Ultra Specifications

KAMADO JOE GASJOE ULTRA 30"

FEATURES & SPECIFICATIONS

Includes: Grill Head & Cart

- Grill Head and Cart Ship Separately. Cart Comes Fully Assembled.
- Grill Head Available Separately for Built-in Outdoor Kitchens.
- Natural Gas Conversion Kit.

Features

- (2) Primary Burners
- Sear Burner/Sear Grate
- Side Burner (optional)
- 9mm Cooking Grate Rods
- Tube Type Burners
- Flame Tamer
- Flash Tubes
- Zinc Alloy Cast Knobs
- Removable Side Shelves
- Full-size Grease Tray
- Warming Rack
- Polished Edges & Accents
- Locking Casters
- Back Burner
- Rotisserie
- (2) LED Lights
- Hood Springs
- Tank Slide Tray



9mm Cooking Grate Rods
with Warming Rack



Polished Accent Knobs and Handles



Removable Side Shelves



Premium Stainless Steel Finishing

KAMADO JOE GASJOE ULTRA 30" SPECIFICATIONS

Grill Head Dimensions	30 in Wide x 32.25 in High x 29.5 in Deep	76.2 cm Wide x 82 cm High x 75.1 cm Deep
Grill Head w/Cart Dimensions	57.7 in Wide x 51.6 in High x 29.5 in Deep	146.5 cm Wide x 131.1 cm High x 75.1 cm Deep
Total Weight	238 lbs	108 kg
BTU-per-hour Input (Main)	50,000 (1 Main Burner/1 Sear Burner)	BTU-per-hour Input (Sear Burner) ...25,000
BTU-per-hour Input (Side Burner)	11,000	BTU-per-hour Input (Rear Burner) ...11,500
Primary Cooking Area	515 sq in	3,323 sq cm
Warming Rack Area	222 sq in	1440 sq cm
Total Cooking Area	737 sq in	4,763 sq cm
Materials		
Grill Head/Grill Cart	304 Grade Stainless Steel	Grill Grates
		9mm 304 Stainless Steel

KAMADO JOE GASJOE ULTRA 42"

FEATURES & SPECIFICATIONS

Includes: Grill Head & Cart

- Grill Head and Cart Ship Separately. Cart Comes Fully Assembled.
- Grill Head Available Separately for Built-in Outdoor Kitchens.
- Natural Gas Conversion Kit.

Features

- (3) Primary Burners
- Sear Burner/Sear Grate
- Side Burner
- 9mm Cooking Grate Rods
- Tube Type Burners
- Flame Tamer
- Flash Tubes
- Zinc Alloy Cast Knobs
- Removable Side Shelves
- Full-size Grease Tray
- Warming Rack
- Polished Edges & Accents
- Locking Casters
- Back Burner
- Rotisserie
- (2) LED Lights
- Hood Springs
- Tank Slide Tray



9mm Cooking Grate Rods with Warming Rack



Polished Accent Knobs and Handles



Removable Side Shelves



Premium Stainless Steel Finishing

KAMADO JOE GASJOE ULTRA 42" SPECIFICATIONS

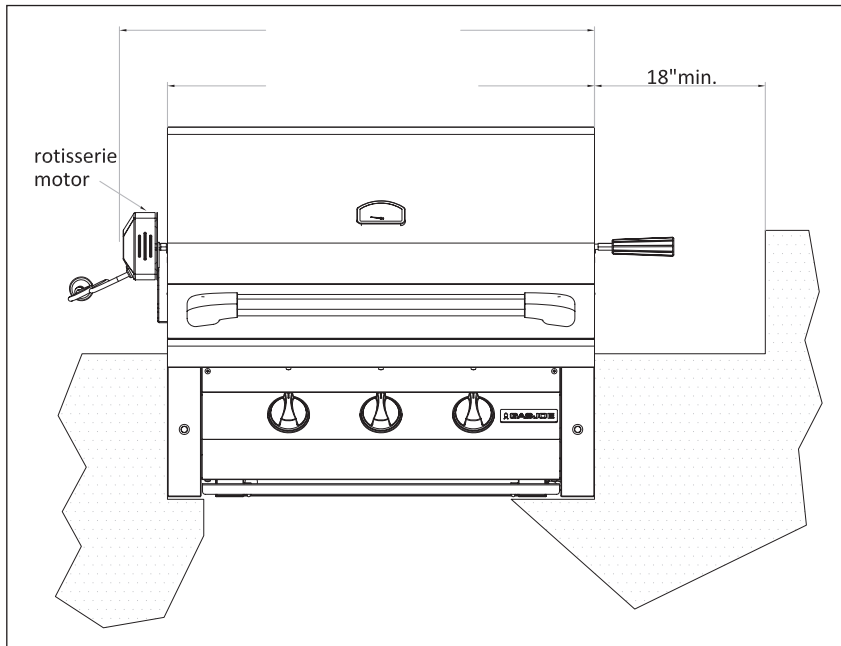
Grill Head Dimensions	42 in Wide x 32.25 in High x 29.5 in Deep	106.7 cm Wide x 82 cm High x 75.1 cm Deep
Grill Head w/Cart Dimensions	69.7 in Wide x 51.6 in High x 29.5 in Deep	177 cm Wide x 131.1 cm High x 75.1 cm Deep
Weight	291 lbs	132 kg
BTU-per-hour Input (Main)	75,000 (2 Main Burners/1 Sear Burner)	BTU-per-hour Input (Sear Burner) ...25,000
BTU-per-hour Input (Side Burner)	11,000	BTU-per-hour Input (Rear Burner) ...14,000
Primary Cooking Area	751 sq in	4,846 sq cm
Warming Rack Area	321 sq in	2,077 sq cm
Total Cooking Area	1,072 sq in	6,923 sq cm
Materials		
Grill Head/Grill Cart	304 Grade Stainless Steel	Grill Grates
		9mm 304 Stainless Steel

KAMADO JOE GASJOE ULTRA

INSTALLATION

Clearances from Combustible Construction

A minimum of 18" from the sides and rear of the grill must be maintained to adjacent vertical combustible construction, above the counter top level. You should take into account that there is a large volume of heat, and smoke that will exhaust from the rear of the grill. This may discolor or damage unprotected areas (Figure 02). Do not install under unprotected combustible construction without using a fire safe ventilation system. A minimum clearance of 18" must also be maintained under the counter top to combustible construction. (Figure 01 and Figure 02)



GJU30LBS=33-3/8" With Rotisserie motor

GJU30LBS=30" Without Rotisserie motor

GJU42LBS=45-3/8" With Rotisserie motor

GJU42LBS=42" Without Rotisserie motor

Figure 1

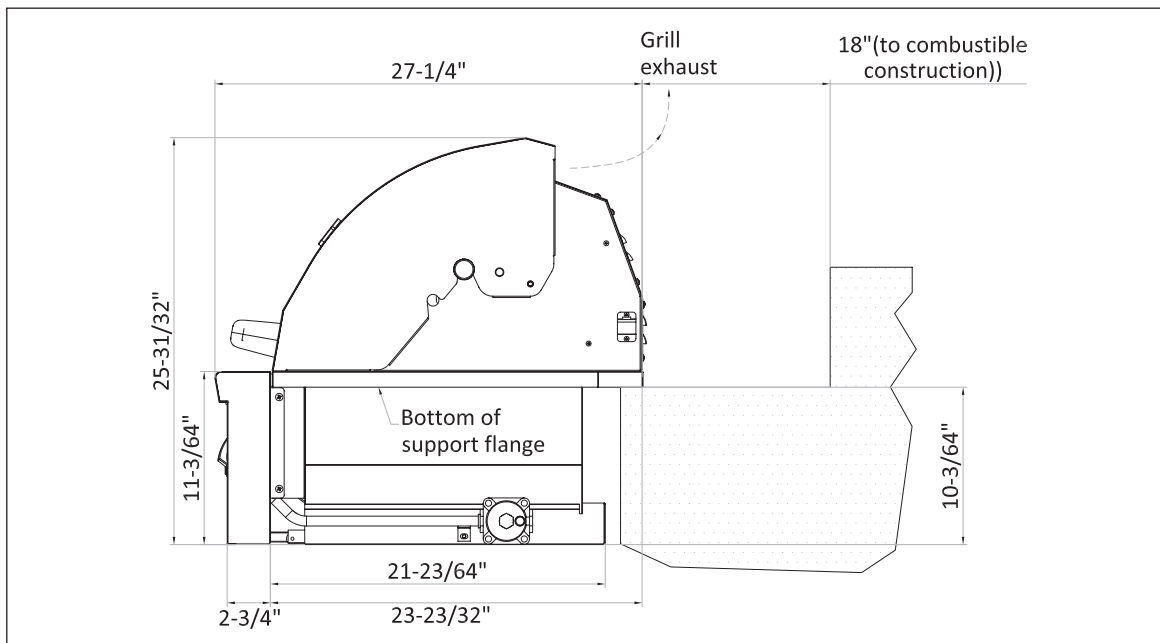


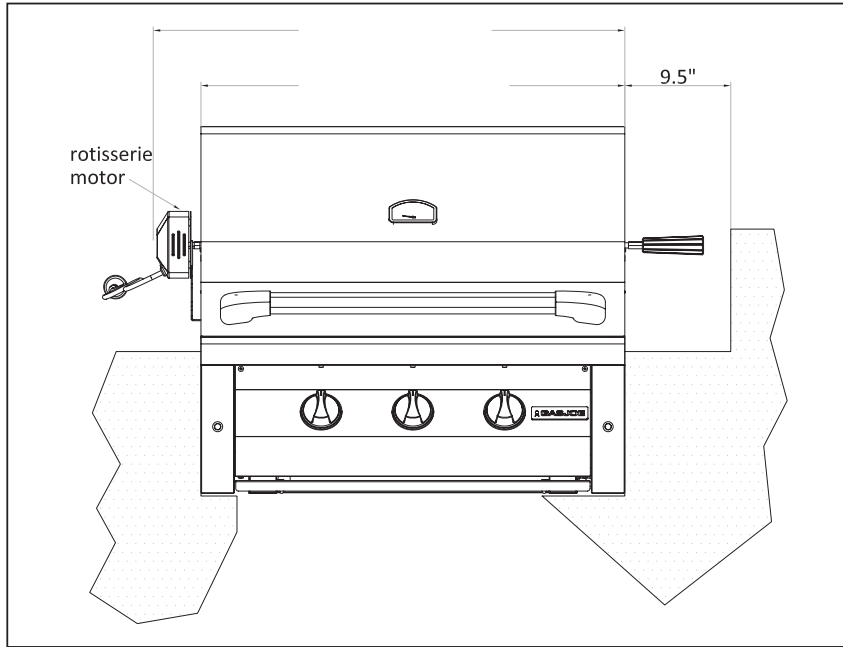
Figure 2

KAMADO JOE GASJOE ULTRA

INSTALLATION

Clearances from Non-Combustible Construction

A minimum of 6" clearance from the back of the grill to non-combustible construction is required for the purpose of allowing the lid to open fully (Figure 04). It is desirable to allow at least 6" rear and side clearance to noncombustible construction above the cooking surface for counter space. If you'll be using the rotisserie option, this space is essential for motor and skewer clearance. The grill can be placed directly adjacent to noncombustible construction below the cooking surface. (Figure 03 and Figure 04)



GJU30LBS=33-3/8" With Rotisserie motor

GJU30LBS=30" Without Rotisserie motor

GJU42LBS=45-3/8" With Rotisserie motor

GJU42LBS=42" Without Rotisserie motor

Figure 3

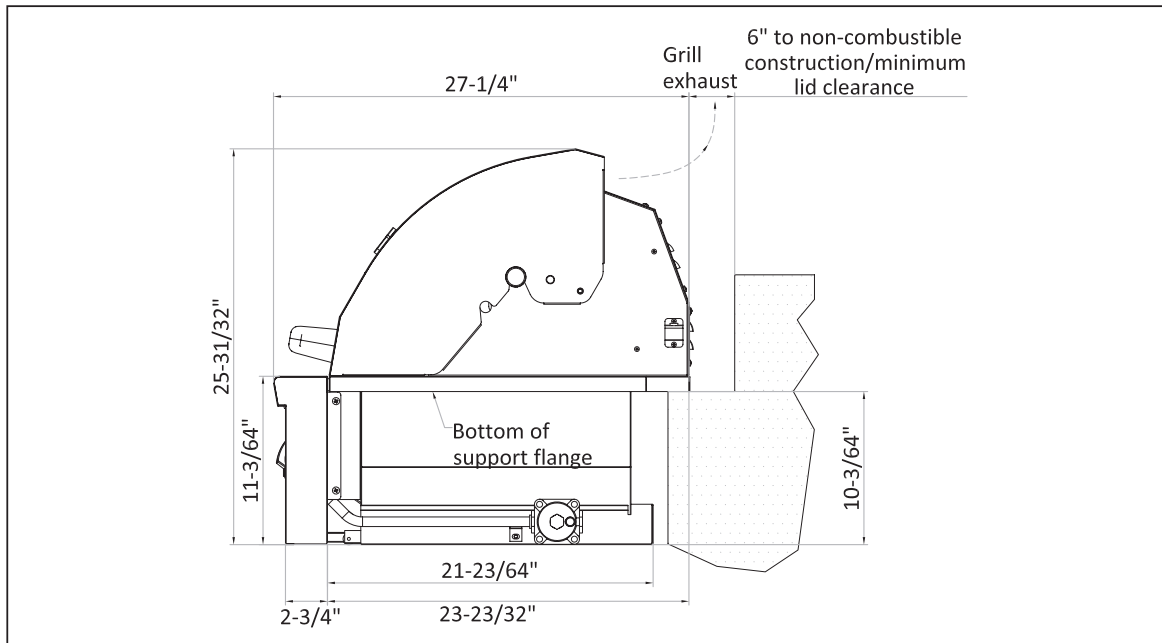


Figure 4

KAMADO JOE GASJOE ULTRA

INSTALLATION

Cut-out Dimensions for Built-in Grills (Figure 05)

MODEL	A	B	C
GasJoe Ultra 30"	28-5/32"	23"	10-1/2"
GasJoe Ultra 42"	40-5/32"	23"	10-1/2"

Note: The built-in island construction material should be all non-combustible material. It cannot have any ventilation holes except for the hole required for the gas supply in the cut-out base.

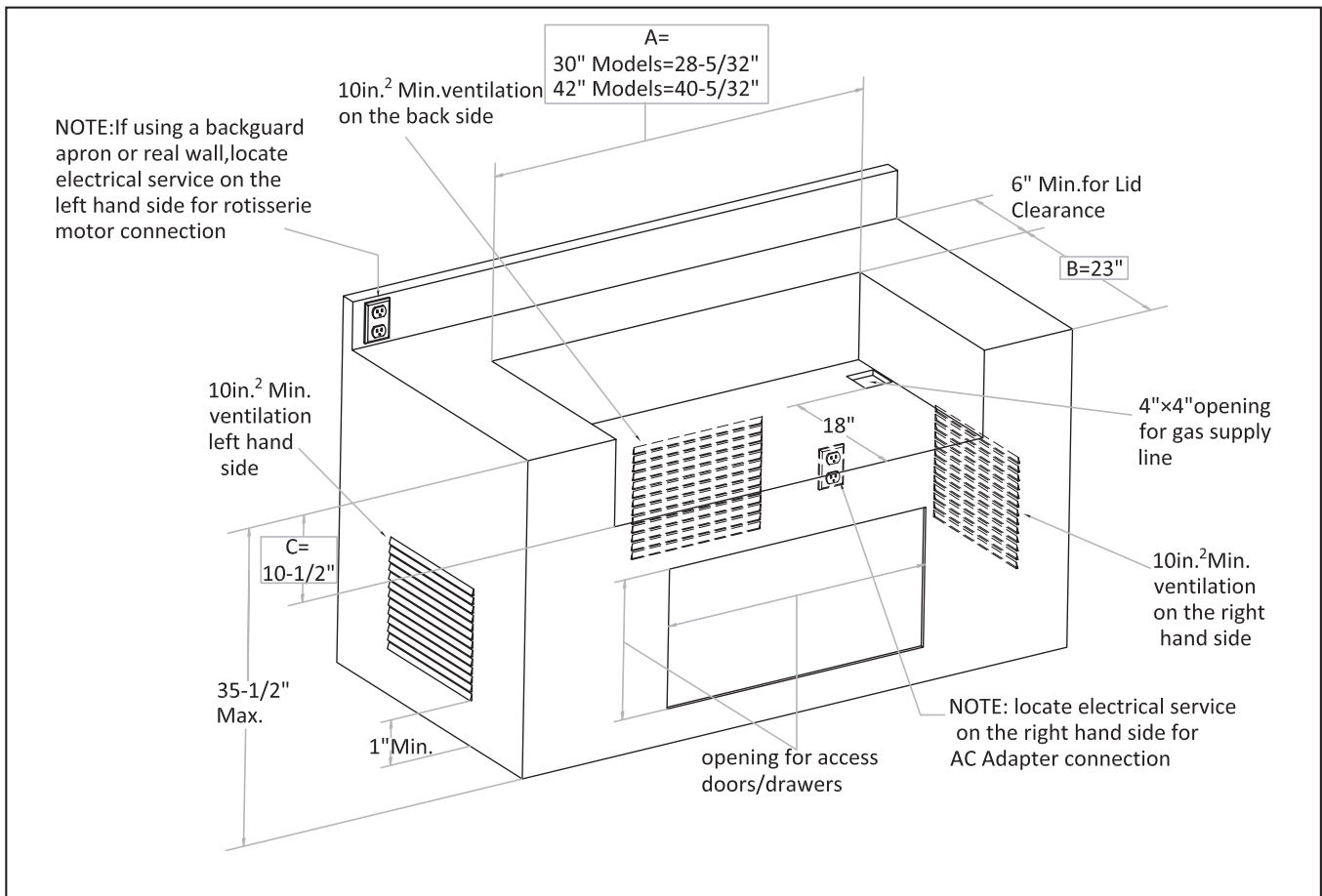


Figure 5