

KAMADO JOE PROJUE

THE NEXT REVOLUTION IN GRILLING



KAMADOJOE®
Ignite your passion for grilling.™



2011 VESTA AWARD

KAMADO JOE PROJUE

FEATURES



Size comparison of ProJoe versus Kamado Joe's Classic Grill.

ProJoe is the First in Kamado Joe's New Revolution Series of Grills

ProJoe carries the largest cooking area, highest thermal retention, a more precise temperature control system, reengineered ergonomics and exceptional aesthetic design.

The Largest Cooking Area

To expand the functionality of the ProJoe, the cooking area was redesigned in a two-tier configuration that has an upper and lower set of 3/8" thick stainless steel cooking grates. The 24.5" diameter upper grate has a cooking area of 471 sq in., and the lower grate measures 23.5" in diameter with a 434 sq in cooking area. The lower grate's primary purpose is the ability to cook at a significantly higher temperature for true steakhouse searing.

Higher Thermal Retention

ProJoe's shell design is a three-component system with a thick inner ceramic core averaging 2" in thickness, which is wrapped in a ceramic fiber insulation blanket, then housed in a 304 stainless steel outer shell. The advantage is superior heat retention, which reduces the exterior temperature by more than half that of the interior temperature. For example, a 400°F inner temperature only yields an exterior temperature of 140°F.

Precise Air Control System

Two new enhancements to the air flow system are a set of precise temperature controls and a proprietary

air sealing system. The ProJoe top and bottom vents are made of investment cast stainless steel with a mirror finish, and the signature dampening system employs a set of markings for precise temperature control. Both vents have a redesigned gasket system that completely seals off the air flow for accelerated cooling and reduced fuel costs.

Signature Ergonomics

The "Perfectly Counterbalanced Hinge System" is the most ergonomically advanced feature of the ProJoe. It was engineered to offset the weight of the lid and also offer static positioning. Only 8 lbs of force is required to raise the 175 lb lid from 0° to 70° and this new system allows the lid to remain stationary at positions as low as 10° from the base.

Exceptional Aesthetic Design

ProJoe is intended for planned or existing outdoor kitchens. The combination of a brushed stainless steel shell and a polished handle, vents and hinge gives the ProJoe a very distinctive aesthetic appeal, yet it compliments the fixtures and outdoor appliances by other manufacturers. A stainless steel cart is also available.

The Kamado Joe Company

Kamado Joe's corporate headquarters are located in Flowery Branch, Georgia. They are dedicated to the innovation, manufacture and sale of ceramic outdoor grills. Learn more at KamadoJoe.com.

KAMADO JOE PROJEO
SPECIFICATIONS



Perfectly Counterbalanced Hinge with Static Positioning as low as 10°



Extra Large Thermometer for Readability



Investment Cast 304 Stainless Steel Top Vent with Mirror Finish



Fire Box Divider for Higher Fuel Efficiency or to Create Separate Cooking Zones



Two-Piece Design 3/8" 304 Stainless Steel Upper and Lower Cooking Grates



Upper Cooking Grate with Both Sections Inserted



Investment Cast 304 Stainless Steel Draft Door with Mirror Finish

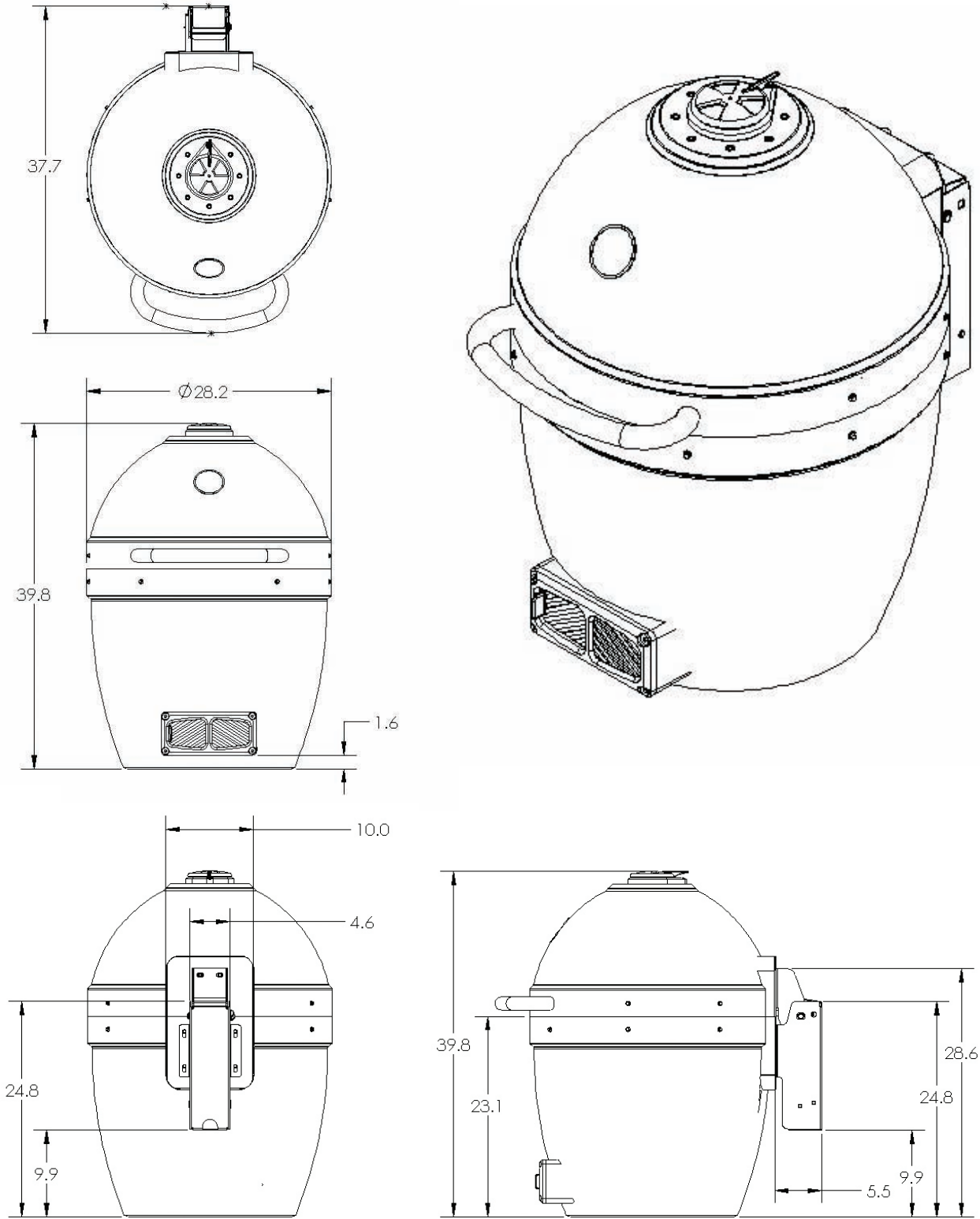
KAMADO JOE PROJEO SPECIFICATIONS

Dimensions	28 in Wide x 39.5 in High x 38 in Deep	71.1 cm Wide x 100.3 cm High x 96.5 cm Deep
Cooking Surface (Upper) ...	24.5 in Diameter/471 sq in	62.2 cm Diameter/3,039 square cm
Cooking Surface (Lower) ...	23.5 in Diameter/434 sq in	59.7 cm Diameter/2,615 square cm
Weight	575 lbs	261.4 kg
Heat Range	225°F – 750°F+	82°C – 399°C

Materials

Outer Base/Lid	Brushed & Polished 304 Grade Stainless Steel	Fire Box/Ring ...	High Fire Heat-Resistant Ceramics
Inner Base/Lid	High Fire Heat-Resistant Ceramics	Hinge	304 Stainless Steel
Top Vent	Investment Cast 304 Stainless Steel	Draft Door	Investment Cast 304 Stainless Steel
Grill Grates	3/8" Thick 304 Stainless Steel		

KAMADO JOE PROJOE
 INSTALLATION DIMENSIONS



Dimensions in inches.

KAMADO JOE PROJEO GRILL TABLE
 SPECIFICATIONS



The Perfectly Balanced Hinge System is Custom Fitted to the ProJoe Grill Table

KAMADO JOE PROJEO GRILL TABLE SPECIFICATIONS		
Dimensions	78 in Wide x 36 in High x 38 in Deep	198.1 cm Wide x 91.7 cm High x 96.5 cm Deep
Weight	297 lbs (Grill & Cart = 872 lbs)	135 kg (Grill & Cart = 396.4 kg)
Storage	(3) Pull-Out Drawers (Left Side, Bottom), (1) Storage Cabinet (Right Side)	
Materials		
Cart	304 Grade Stainless Steel	